

# SPECTRE IP54 CCT LED DOWNLIGHT

**PRAGMALUX**  
PROFESSIONAL LIGHTING



## KEY FEATURES

- Professional LED downlight
- CCT Switchable 3000K-4000K-5700K
- UGR<22
- External LED driver
- Very quick and easy installation
- Serial connector
- Possible through-wiring
- Dimmable Fase/DALI/EasyAir
- IP54
- 5 year Pragmalux Warranty

IP54 IK06  650°<sub>GWT</sub> 107<sub>LM/W</sub>  90° CRI ≥80

**5** PRAGMALUX  
YEAR  
WARRANTY

## DETAILS



Pragmalux driver version



Reflector

## OPTIONS



## ACCESSORIES



Emergency Kit  
1000282

## SPECIFICATIONS

ITEM CODE	DESCRIPTION	W	LM	LM/W	KELVIN	INPUT CURRENT	LIFETIME L80B10
1000343-PR-DIM	LED Downlight Spectre IP54 13W 3000K-5700K 3-CCT 1120-1310lm Ø145 Fase Dim.	13	1120-1310	86-101	3000/4000/5700	0.07	50000
1000350-PR-DIM	LED Downlight Spectre IP54 18W 3000K-5700K 3-CCT 1800-1980lm Ø172 Fase Dim.	18	1800-1980	100-110	3000/4000/5700	0.09	50000
1000367-PR-DIM	LED Downlight Spectre IP54 25W 3000K-5700K 3-CCT 2500-2750lm Ø228 Fase Dim.	25	2500-2750	100-110	3000/4000/5700	0.12	50000
1000343-OS	LED Downlight Spectre IP54 10-14W 3000K-5700K 3-CCT 1050-1550lm Ø145 Osram	10-14	1050-1550	100-110	3000/4000/5700	0.25-0.35	50000
1000350-OS	LED Downlight Spectre IP54 10-20W 3000K-5700K 3-CCT 1150-2200lm Ø172 Osram	10-20	1150-2200	100-110	3000/4000/5700	0.25-0.50	50000
1000367-OS	LED Downlight Spectre IP54 10-20W 3000K-5700K 3-CCT 1150-2300lm Ø228 Osram	10-20	1150-2300	100-115	3000/4000/5700	0.25-0.50	50000
1000343-PH-DA	LED Downlight Spectre IP54 14W 3000K-5700K 3-CCT 1450-1550lm Ø145 Philips DALI	14	1450-1550	100-110	3000/4000/5700	0.35	50000
1000350-PH-DA	LED Downlight Spectre IP54 18W 3000K-5700K 3-CCT 2100-2200lm Ø172 Philips DALI	18	2100-2200	100-110	3000/4000/5700	0.45	50000
1000367-PH-DA	LED Downlight Spectre IP54 20W 3000K-5700K 3-CCT 2200-2300lm Ø228 Philips DALI	20	2200-2300	100-115	3000/4000/5700	0.50	50000
1000343-PH-S	LED Downlight Spectre IP54 14W 3000K-5700K 3-CCT 1450-1550lm Ø145 Philips EasyAir	14	1450-1550	100-110	3000/4000/5700	0.35	50000
1000350-PH-S	LED Downlight Spectre IP54 18W 3000K-5700K 3-CCT 2100-2200lm Ø172 Philips EasyAir	18	2100-2200	100-110	3000/4000/5700	0.45	50000
1000367-PH-S	LED Downlight Spectre IP54 20W 3000K-5700K 3-CCT 2200-2300lm Ø228 Philips EasyAir	20	2200-2300	100-115	3000/4000/5700	0.50	50000

## TECHNICAL DATA

ELECTRICAL DATA	
Voltage (V)	220-240
Frequency (Hz)	50/60
Power factor (λ)	≥0.9
Operating mode	Integrated/External LED Driver
Electrical connection	Max 3x1,5 mm² wire
Total harmonic distortion	≤ 20 %

## TEMPERATURES & OPERATING CONDITIONS

Ambient temperature	25°C
Operating temperature	-20 ~ +40°C
Storage temperature	-40 ~ +65°C

## COLORS & MATERIALS

Color ( Housing)	White RAL9016
Material ( Housing)	PC
Material ( Reflector)	PC

## CERTIFICATES & STANDARDS

Driver certificates	CE
Fixture certificates	CE
Ingress protection	IP54
Protection class	II
Protection class IK	06
Glow Wire Test ( IEC 695-2-1)	650°C
Photobiological safety group EN62778	RG0

## CAPABILITIES

UGR	≤22
Dimmable	No / Triac Dim / DALI / EasyAir
Type of connection	Push Terminal, 3-pole
LED Module replacable	No
Installation	CCT Switchable

All rights reserved. Pragmalux - PDL Lighting Group B.V. retains the right to modify product specifications without any prior notice or obligation and does not assume any liability for any consequences of using this document. Subject to errors and printing errors. Luminous flux tolerance: +/- 10%. Power consumption tolerance: +/- 10%.

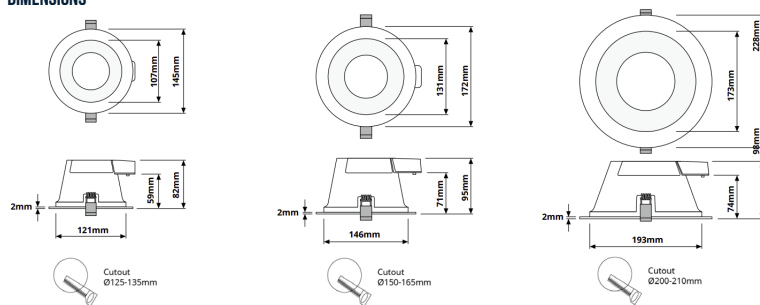
Version: March 2021

Page 1/2

# SPECTRE IP54 CCT LED DOWNLIGHT

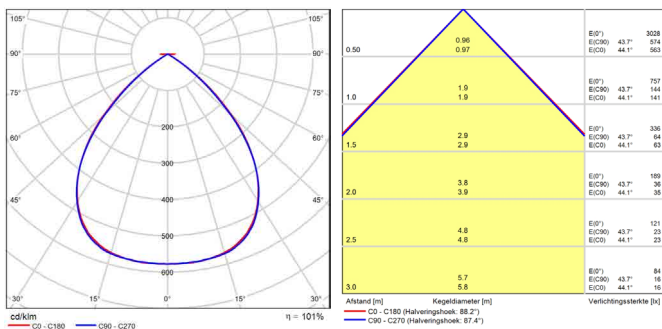
ITEM CODE	DESCRIPTION	DRIVER FAILURE RATE AT 5.000H	INRUSH CURRENT PEAK (A)	INRUSH CURRENT TWIDTH (μs)	MAX. NO. OF DRIVERS ON MCB TYPE B 10A	MAX. NO. OF DRIVERS ON MCB TYPE B 16A	MAX. NO. OF DRIVERS ON MCB TYPE C 10A	MAX. NO. OF DRIVERS ON MCB TYPE C 16A
1000343-PR-DIM	LED Downlight Spectre SR IP54 13W 3000K-5700K 3-CCT 1120-1310lm Ø145 Fase Dim.	≤1%	2.18	135	83	138	83	138
1000350-PR-DIM	LED Downlight Spectre SR IP54 18W 3000K-5700K 3-CCT 1800-1980lm Ø172 Fase Dim.	≤1%	3.06	224	48	76	48	76
1000367-PR-DIM	LED Downlight Spectre SR IP54 25W 3000K-5700K 3-CCT 2500-2750lm Ø228 Fase Dim.	≤1%	4.64	224	33	53	33	53
1000343-OS	LED Downlight Spectre SR IP54 10-14W 3000K-5700K 3-CCT 1050-1550lm Ø145 Osram	≤1%	<16	100	32	50	-	-
1000350-OS	LED Downlight Spectre SR IP54 10-20W 3000K-5700K 3-CCT 1150-2200lm Ø172 Osram	≤1%	<16	100	32	50	-	-
1000367-OS	LED Downlight Spectre SR IP54 10-20W 3000K-5700K 3-CCT 1150-2300lm Ø228 Osram	≤1%	<16	100	32	50	-	-
1000343-PH-DA	LED Downlight Spectre SR IP54 14W 3000K-5700K 3-CCT 1450-1550lm Ø145 Philips DALI	≤1%	20.4	195	15	24	24	40
1000350-PH-DA	LED Downlight Spectre SR IP54 18W 3000K-5700K 3-CCT 2100-2200lm Ø172 Philips DALI	≤1%	20.4	195	15	24	24	40
1000367-PH-DA	LED Downlight Spectre SR IP54 20W 3000K-5700K 3-CCT 2200-2300lm Ø228 Philips DALI	≤1%	20.4	195	15	24	24	40
1000343-PH-S	LED Downlight Spectre SR IP54 14W 3000K-5700K 3-CCT 1450-1550lm Ø145 Philips EasyAir	≤1%	4.8	56	31	50	52	85
1000350-PH-S	LED Downlight Spectre SR IP54 18W 3000K-5700K 3-CCT 2100-2200lm Ø172 Philips EasyAir	≤1%	4.8	56	31	50	52	85
1000367-PH-S	LED Downlight Spectre SR IP54 20W 3000K-5700K 3-CCT 2200-2300lm Ø228 Philips EasyAir	≤1%	4.8	56	31	50	52	85

## DIMENSIONS

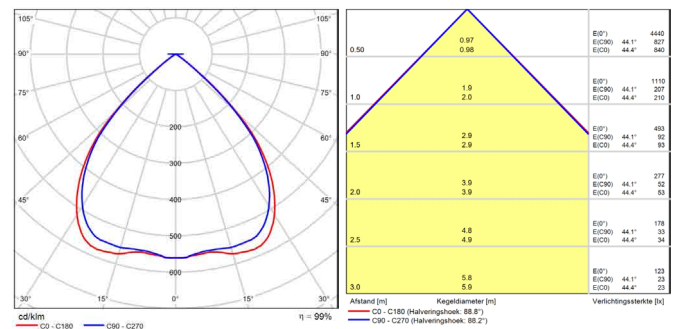


## PHOTOMETRIC SPECIFICATIONS

### LED DOWNLIGHT SPECTRE SR 13W



### LED DOWNLIGHT SPECTRE SR 18W



### LED DOWNLIGHT SPECTRE SR 25W

